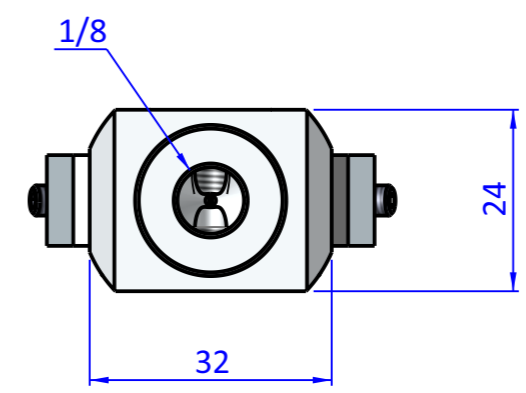
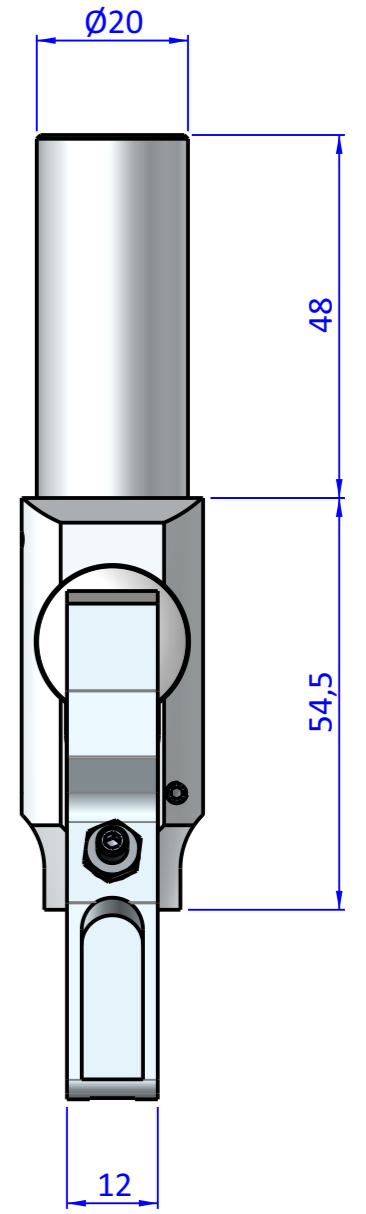
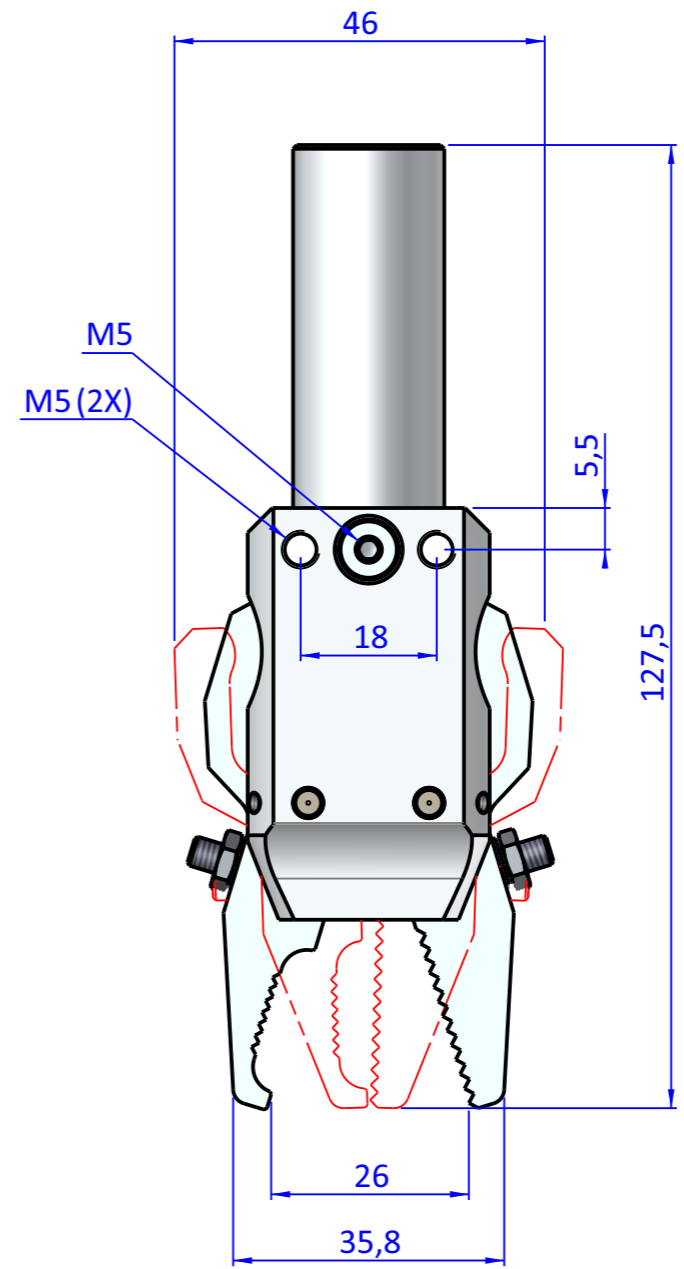
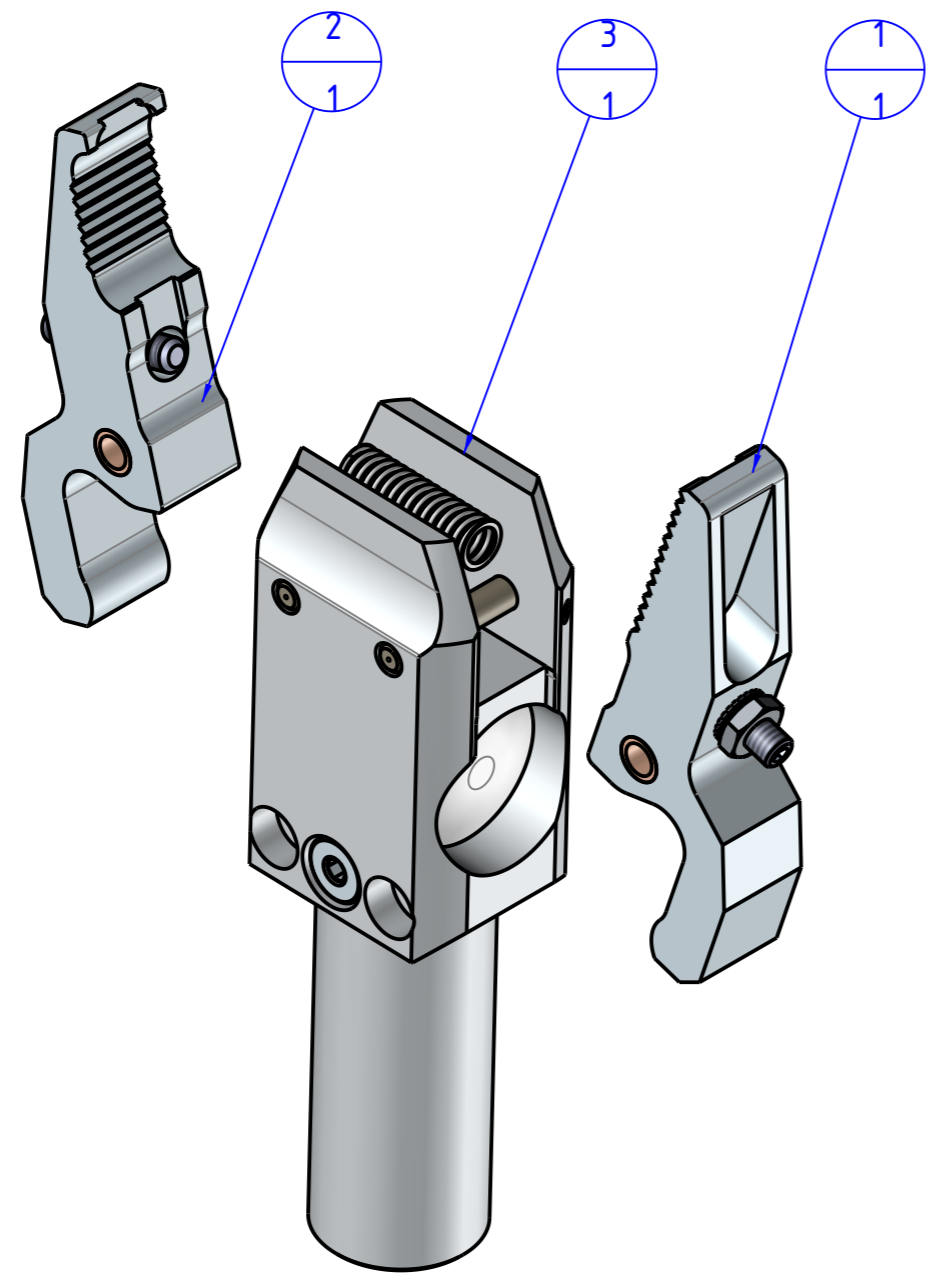

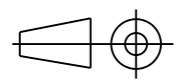


THE PROPERTY OF THE DRAWING IS ESTABLISHED BY LAW. IT IS FORBIDDEN TO PRODUCE OR SHOW IT TO THIRD PART - WITHOUT A WRITTEN AGREEMENT.

Item	Name	QTY
1	GTS.04.12	1
2	GTS.04.14	1
3	GTS.04.G18	1



Format A3
UNI 936-76

 FPS FPSERVICES AUTOMATION			DESIGNED FROM FPS Automation	REVIEW A
GENERAL TOLERANCE UNI - ISO 2768 CLASSE f		DESCRIPTION CA.GTS.1004.1214	DATE 21/09/2021	WEIGHT 0,199kg
		CODE CA.GTS.1004.1214		